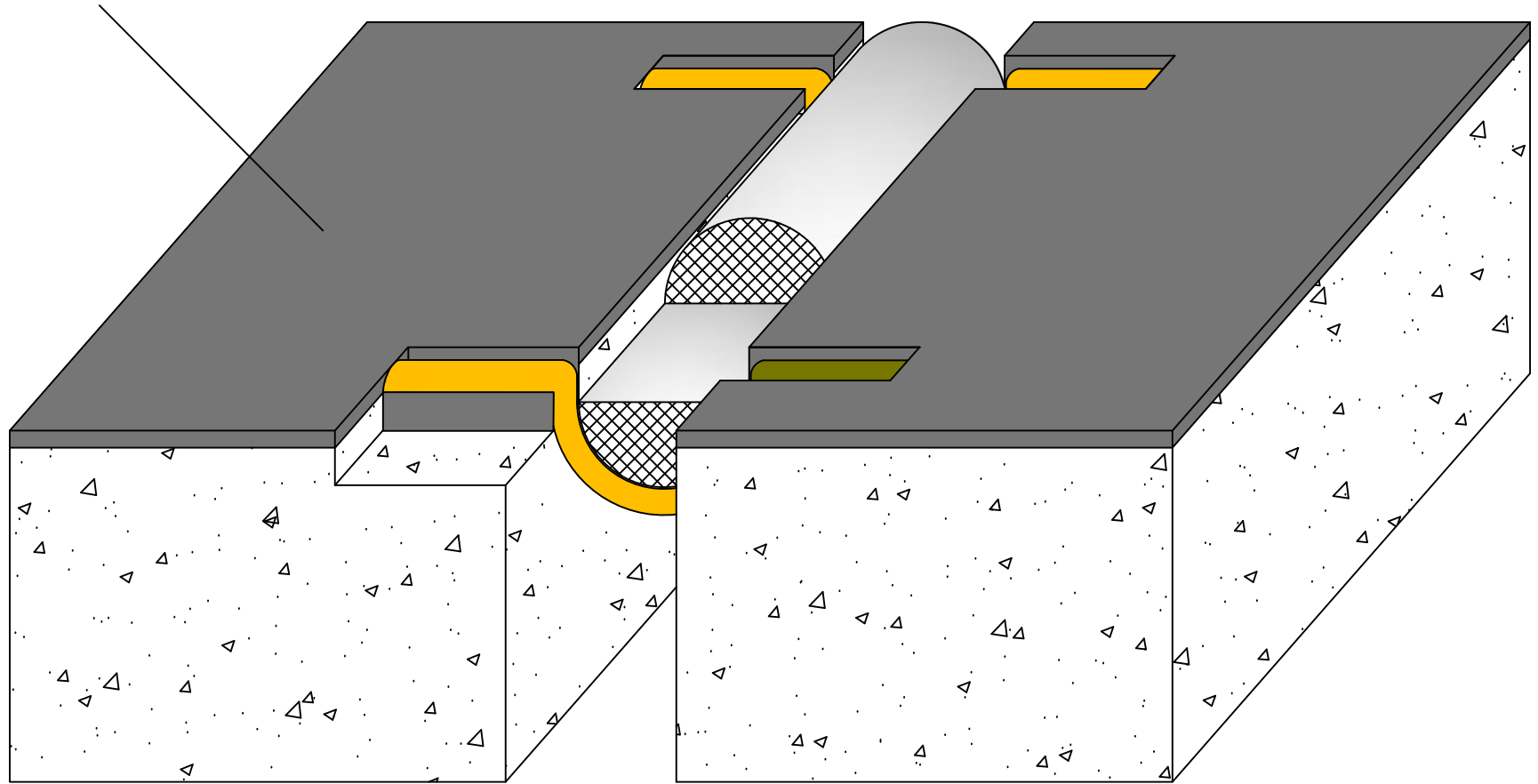


Conductive Primer



Note:

- Bridging Wire pushed into wet primer
- Backer Rod put in place over wire to prevent damage when cutting joints
- 2 Wire Connections 2" apart to ensure conductivity
- View shows floor before overlayment is applied

Architectural Detail

Joint Treatment
Electrical Joint Bridging - Top View

STONHARD
1000 East Park Avenue

Maple Shade New Jersey 08052

Scale: NTS	Date: 06/22/2011	Drawing no.: ESD.004	Drawn by: KMB
---------------	---------------------	-------------------------	------------------